

The SP series of modular SPDs is DIN rail mountable, based on patented MOV technology, providing advanced surge protection. The devices are UL Recognized and KEMA certified. The SPD base is designed to be mounted on 35 mm DIN rail while plugs are easily replaceable. The SPD has a patented thermal disconnecter design with an extinguishing device, which gives a quick thermal response and device cutoff.

- DIN rail mountable and ease of installation
- Innovative thermally protected MOV technology
- Quick thermal response self-protected design with internal arc extinguishing
- Visual indicator
- Maximum discharge current of 50 kA
- Meet all requirements of UL 1449 4th Edition, IEC61643-11
- Remote indicator, Form C
- In of 20 kA

Technical Data

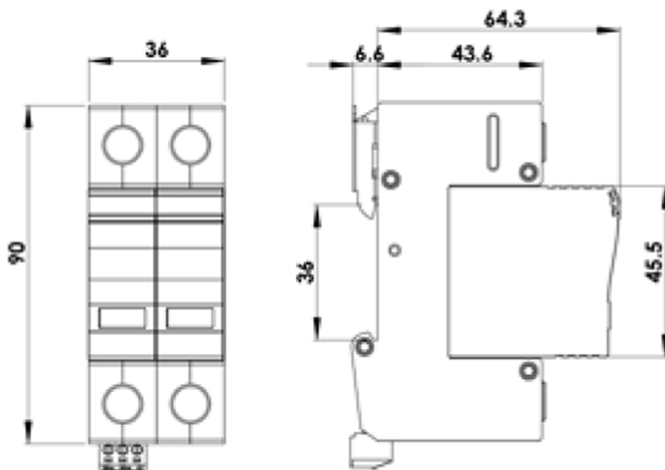
TYPE	ASISP150-2P	ASISP180-2P	ASISP275-2P	ASISP320-2P	ASISP420-2P	ASISP550-2P	ASISP690-2P
Standards	UL 1449 4 th Edition, IEC61641-11:2011						
Category UL/IEC	Type 1CA for use in Type 1, 2, and 3 Applications/Class C (II)						
MCOV (Uc, Vac)	150 V	180 V	275 V	320 V	420 V	550 V	690 V
SCCR Rating	200 kA						
Nominal Discharge Current (8/20) In	20 kA						
Max. Discharge Current (8/20) Imax	50 kA						40 kA
Response Time	≤ 25 ns						
Operating Temperature Range	-40°C...+80°C						
Operating Humidity Range	0-90%						
Dimensions	90 mm (D), 36 mm (W), 66 mm (H)						
Max. Size of Connecting Wire	Single-Strand 35 mm ² (or #2 AWG), Multi-Strand 25 mm ² (or #4 AWG)						
Mounting	35 mm DIN Rail in accordance with EN50022/DIN 46277-3						
Enclosure Material	Thermoplastic, UL 94 V-0						
Degree of Protection	IP20						
Installation Width	2 Modules, DIN 43880						
Visual Indicator	Window: Green-OK, Red-Replace						
Remote Alarm Contact	1 Form C						
ADDITIONAL							
Remote Alarm Contact Type	Isolated Form C						
Switching Capability UN/IN	AC: 250 V/0.5A, DC: 250 V/0.1A, 125 V/0.2A, 75 V/0.5A						
Max. Size of Connecting Wire	Max. 1.5 mm ² (or #16 AWG)						

Applications

- AC/DC Distribution
- Power Supplies
- Industrial Automation
- Telecommunications
- PLC Applications
- Transfer Switches
- HVAC Applications
- AC Drives
- UPS Systems
- Control Panels



Dimensions



Basic Circuit Diagram

